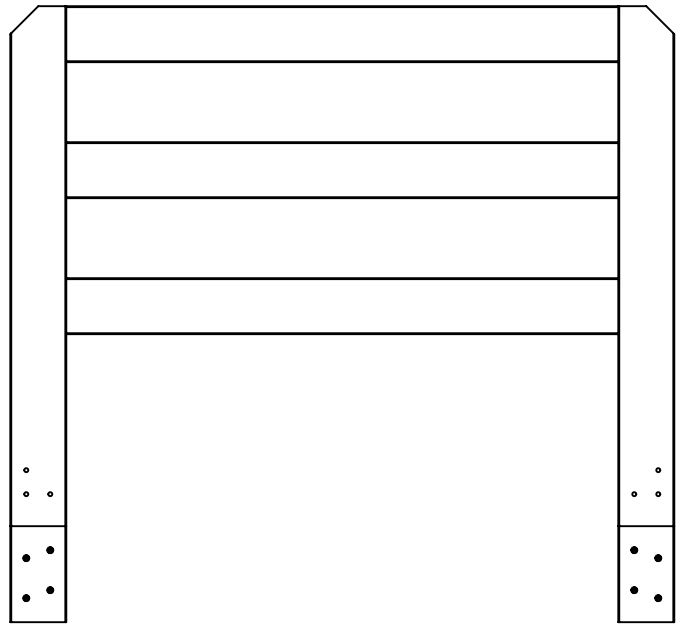
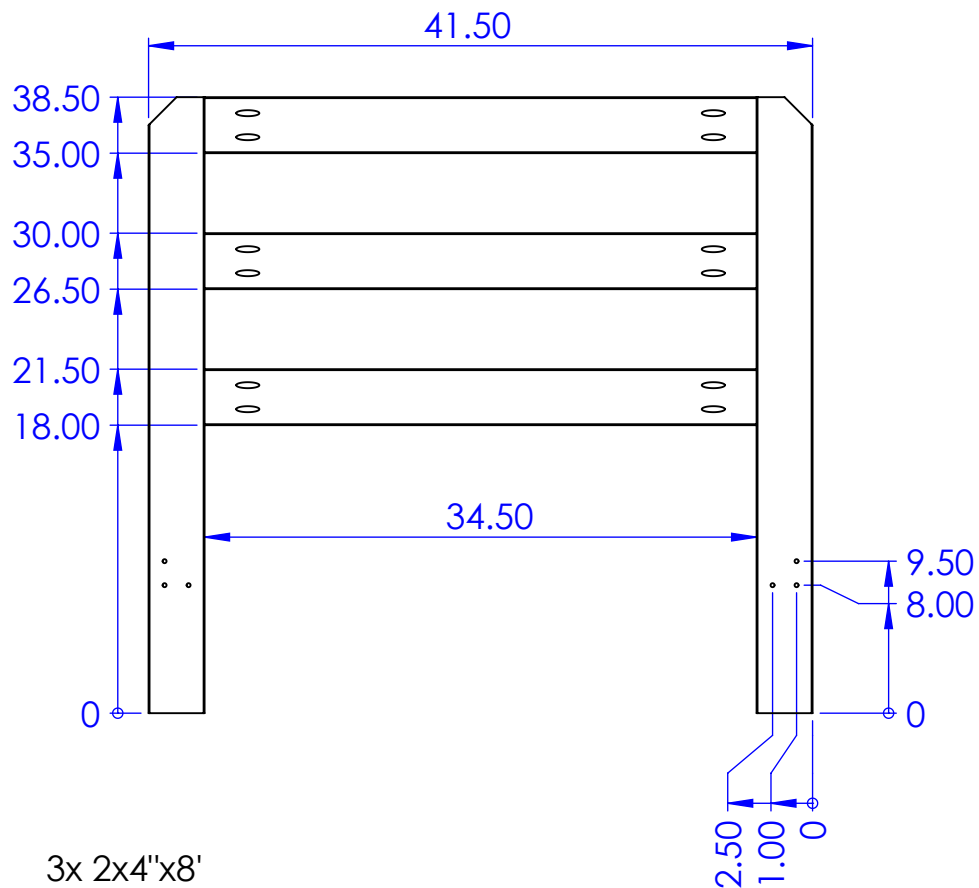


2

1

B

B



3x 2x4"x8'

38x #9x2.5"  
9x 5/16" x 4

<https://quagmirerepair.com/corner-bunk-bed>

A

A

PROPRIETARY AND CONFIDENTIAL  
 THE INFORMATION CONTAINED IN THIS  
 DRAWING IS THE SOLE PROPERTY OF  
 DAVID MELLINGER. ANY  
 REPRODUCTION IN PART OR AS A WHOLE  
 WITHOUT THE WRITTEN PERMISSION OF  
 DAVID MELLINGER IS  
 PROHIBITED.

		UNLESS OTHERWISE SPECIFIED:		NAME	DATE
		DIMENSIONS ARE IN INCHES	DRAWN	davem	
		TOLERANCES:	CHECKED		
		FRACTIONAL ±	ENG APPR.		
		ANGULAR: MACH ± BEND ±	MFG APPR.		
		TWO PLACE DECIMAL ±	Q.A.		
		THREE PLACE DECIMAL ±	COMMENTS:		
		INTERPRET GEOMETRIC TOLERANCING PER:			
		MATERIAL			
		FIR / PINE			
		FINISH			
NEXT ASSY	USED ON				
APPLICATION		DO NOT SCALE DRAWING			

TITLE:			
Headboard			
SIZE	DWG. NO.	REV	
A	Lower Bed Headboard	A	
SCALE: 1:12		WEIGHT:	SHEET 1 OF 5

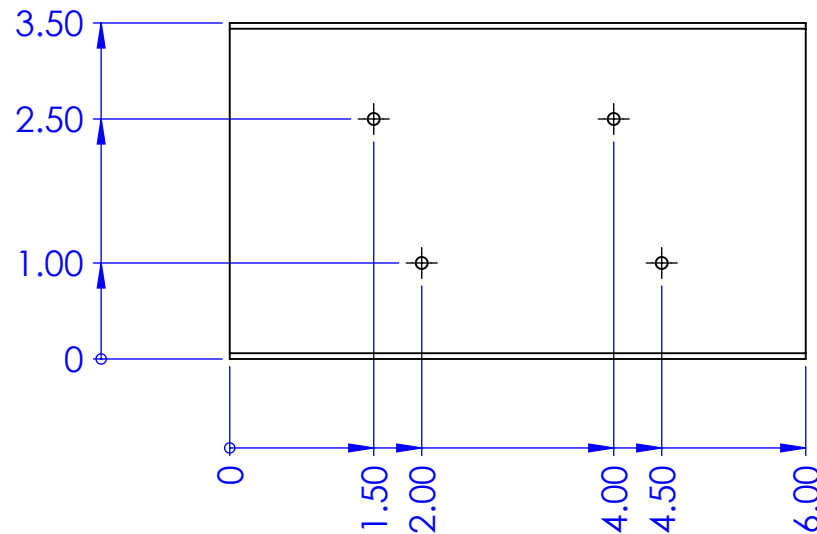
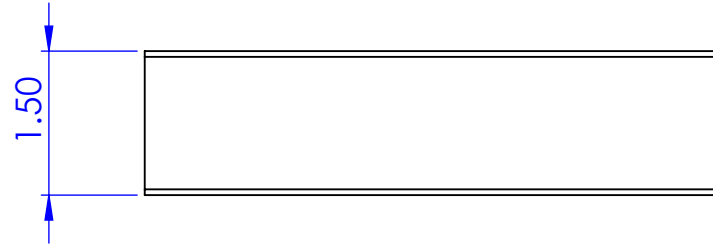
2

1

2

1

<https://quagmirerepair.com/corner-bunk-bed>



Scrap 2x4" Pieces  
4x #9x2.5" Screws / each

Need 5

PROPRIETARY AND CONFIDENTIAL  
THE INFORMATION CONTAINED IN THIS  
DRAWING IS THE SOLE PROPERTY OF  
DAVID MELLINGER. ANY  
REPRODUCTION IN PART OR AS A WHOLE  
WITHOUT THE WRITTEN PERMISSION OF  
DAVID MELLINGER IS  
PROHIBITED.

		UNLESS OTHERWISE SPECIFIED:		NAME	DATE
		DIMENSIONS ARE IN INCHES	DRAWN	davem	
		TOLERANCES:	CHECKED		
		FRACTIONAL ±	ENG APPR.		
		ANGULAR: MACH ± BEND ±	MFG APPR.		
		TWO PLACE DECIMAL ±	Q.A.		
		THREE PLACE DECIMAL ±	COMMENTS:		
		INTERPRET GEOMETRIC TOLERANCING PER:			
		MATERIAL			
		FIR / PINE			
		FINISH			
NEXT ASSY	USED ON				
APPLICATION		DO NOT SCALE DRAWING			

TITLE:  
Bed Support

SIZE	DWG. NO.	REV
A	Lower Bed - Headboard	A
SCALE: 1:2	WEIGHT:	SHEET 2 OF 5

2

1

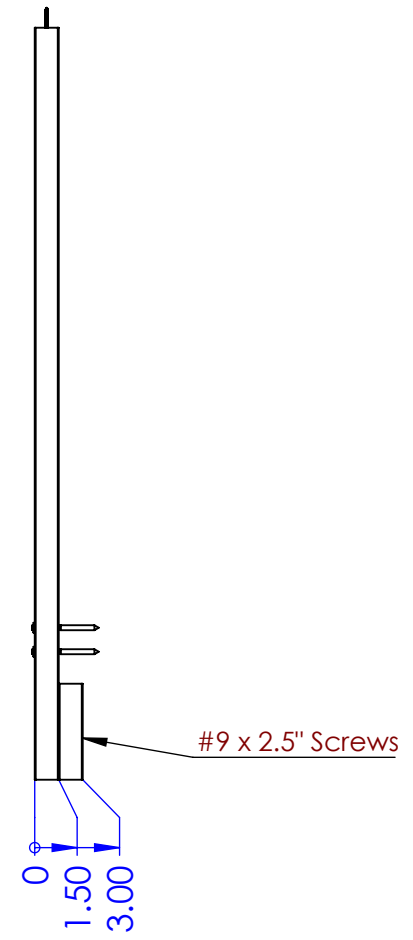
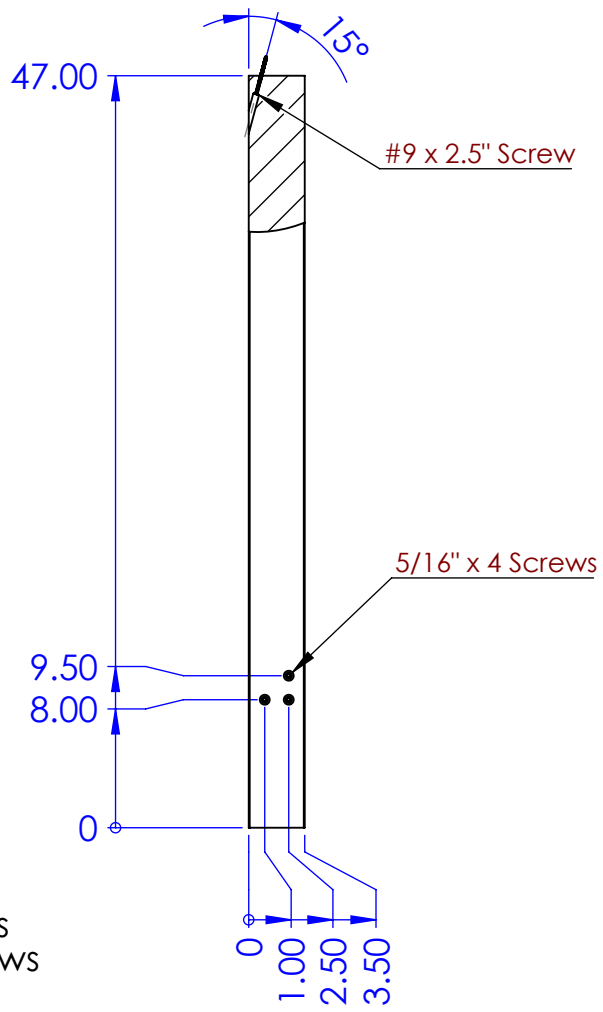
2

1

<https://quagmirerepair.com/corner-bunk-bed>

B

B



1x 2x4"x8'  
 5x #9x2.5" Screws  
 3x 5/16" x 4" Screws

A

A

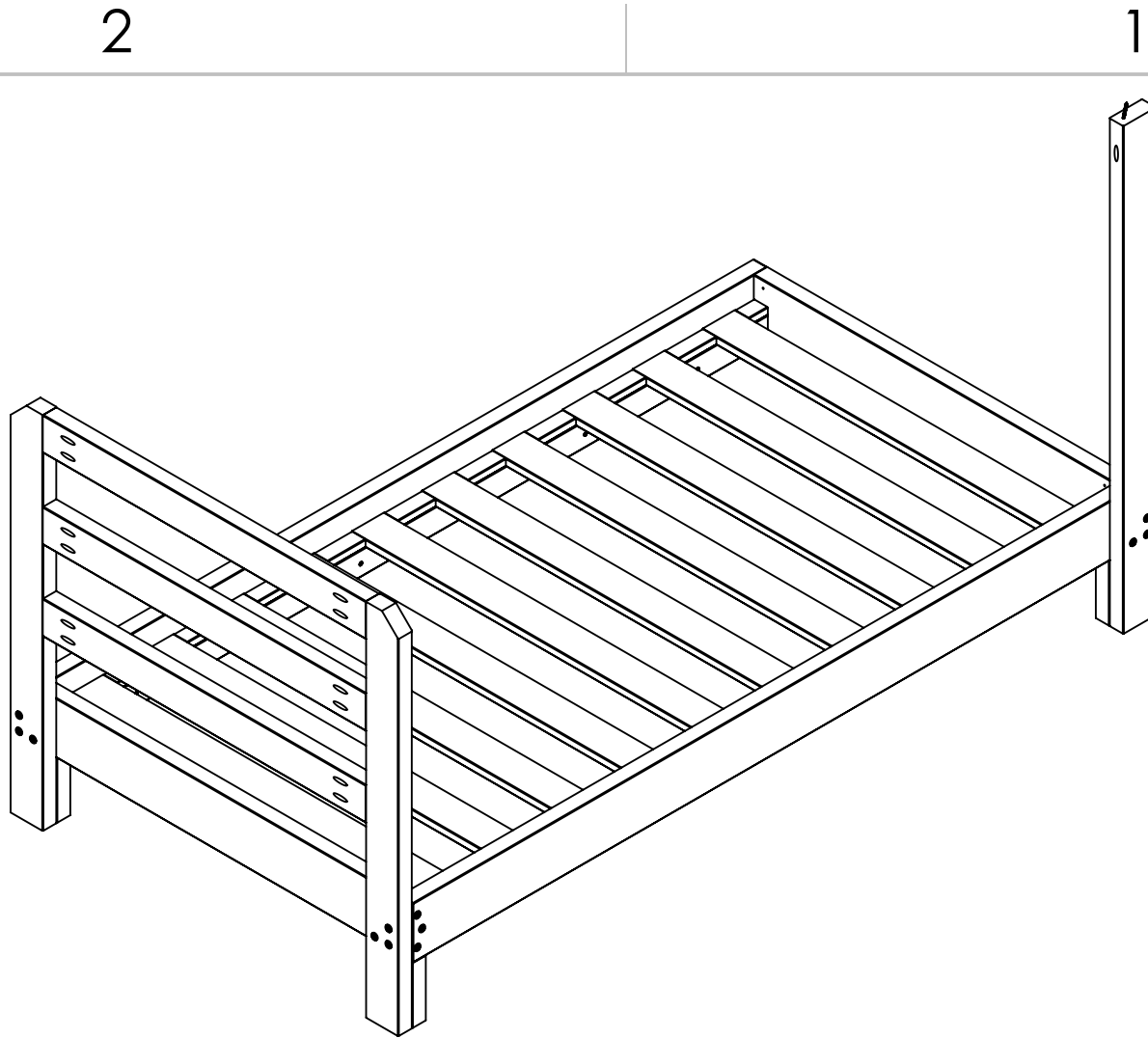
PROPRIETARY AND CONFIDENTIAL  
 THE INFORMATION CONTAINED IN THIS  
 DRAWING IS THE SOLE PROPERTY OF  
 DAVID MELLINGER. ANY  
 REPRODUCTION IN PART OR AS A WHOLE  
 WITHOUT THE WRITTEN PERMISSION OF  
 DAVID MELLINGER IS  
 PROHIBITED.

		UNLESS OTHERWISE SPECIFIED:		NAME	DATE
		DIMENSIONS ARE IN INCHES	DRAWN	davem	
		TOLERANCES:	CHECKED		
		FRACTIONAL ±	ENG APPR.		
		ANGULAR: MACH ± BEND ±	MFG APPR.		
		TWO PLACE DECIMAL ±	Q.A.		
		THREE PLACE DECIMAL ±	COMMENTS:		
		INTERPRET GEOMETRIC TOLERANCING PER:			
		MATERIAL			
		FIR / PINE			
		FINISH			
NEXT ASSY	USED ON				
	APPLICATION	DO NOT SCALE DRAWING			

TITLE:		
<h1>Upper Bed Support</h1>		
SIZE	DWG. NO.	REV
A	Lower Bed - Headboard	A
SCALE: 1:12	WEIGHT:	SHEET 3 OF 5

2

1



<https://quagmirerepair.com/corner-bunk-bed>

PROPRIETARY AND CONFIDENTIAL  
 THE INFORMATION CONTAINED IN THIS  
 DRAWING IS THE SOLE PROPERTY OF  
 DAVID MELLINGER. ANY  
 REPRODUCTION IN PART OR AS A WHOLE  
 WITHOUT THE WRITTEN PERMISSION OF  
 DAVID MELLINGER IS  
 PROHIBITED.

		UNLESS OTHERWISE SPECIFIED:		NAME	DATE
		DIMENSIONS ARE IN INCHES	DRAWN	davem	
		TOLERANCES:	CHECKED		
		FRACTIONAL ±	ENG APPR.		
		ANGULAR: MACH ± BEND ±	MFG APPR.		
		TWO PLACE DECIMAL ±	Q.A.		
		THREE PLACE DECIMAL ±	COMMENTS:		
		INTERPRET GEOMETRIC TOLERANCING PER:			
		MATERIAL			
		FIR / PINE			
		FINISH			
NEXT ASSY	USED ON				
APPLICATION		DO NOT SCALE DRAWING			

TITLE:  
**Lower Bed**

SIZE	DWG. NO.	REV
<b>A</b>	Lower Bed - Headboard	<b>A</b>
SCALE: 1:14 WEIGHT:		SHEET 4 OF 5

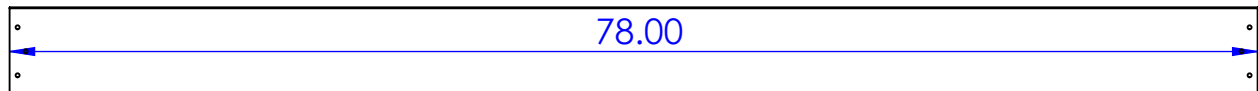
2

1

B

B

2x 2x6"



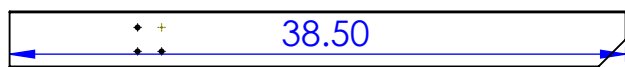
2x 2x6"



1x 2x4"



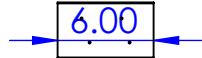
2x 2x4"



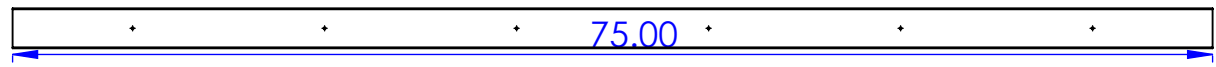
3x 2x4"



5x 2x4"

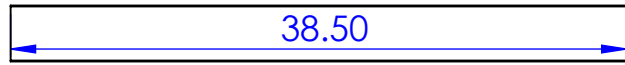


2x 2x3"

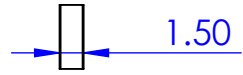


- 3x 2x6x8'
- 3x 2x4x8'
- 2x 2x3x8'
- 5 or 11x 1x4x8'

Slotted: 10 Solid: 22 1x4"



\* not needed if solid\*



- 57x #9 x 2.5" Screws
- 21x 5/16" x 4" Screws
- GRK RSS 12225 / 62225 or similar

<https://quagmirerepair.com/corner-bunk-bed>

A

A

		UNLESS OTHERWISE SPECIFIED:		NAME	DATE
		DIMENSIONS ARE IN INCHES	DRAWN	davem	
		TOLERANCES:	CHECKED		
		FRACTIONAL ±	ENG APPR.		
		ANGULAR: MACH ± BEND ±	MFG APPR.		
		TWO PLACE DECIMAL ±	Q.A.		
		THREE PLACE DECIMAL ±	COMMENTS:		
		INTERPRET GEOMETRIC TOLERANCING PER:			
		MATERIAL			
		FIR / PINE			
		FINISH			
NEXT ASSY	USED ON				
APPLICATION		DO NOT SCALE DRAWING			

TITLE:		
Materials List		
SIZE	DWG. NO.	REV
A	Lower Bed - Headboard	A
SCALE: 1:14 WEIGHT:		SHEET 5 OF 5

PROPRIETARY AND CONFIDENTIAL  
 THE INFORMATION CONTAINED IN THIS  
 DRAWING IS THE SOLE PROPERTY OF  
 DAVID MELLINGER. ANY  
 REPRODUCTION IN PART OR AS A WHOLE  
 WITHOUT THE WRITTEN PERMISSION OF  
 DAVID MELLINGER IS  
 PROHIBITED.

2

1