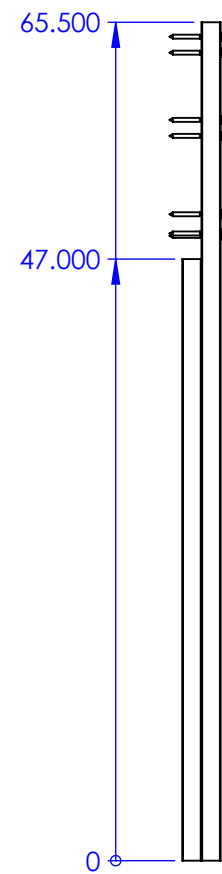
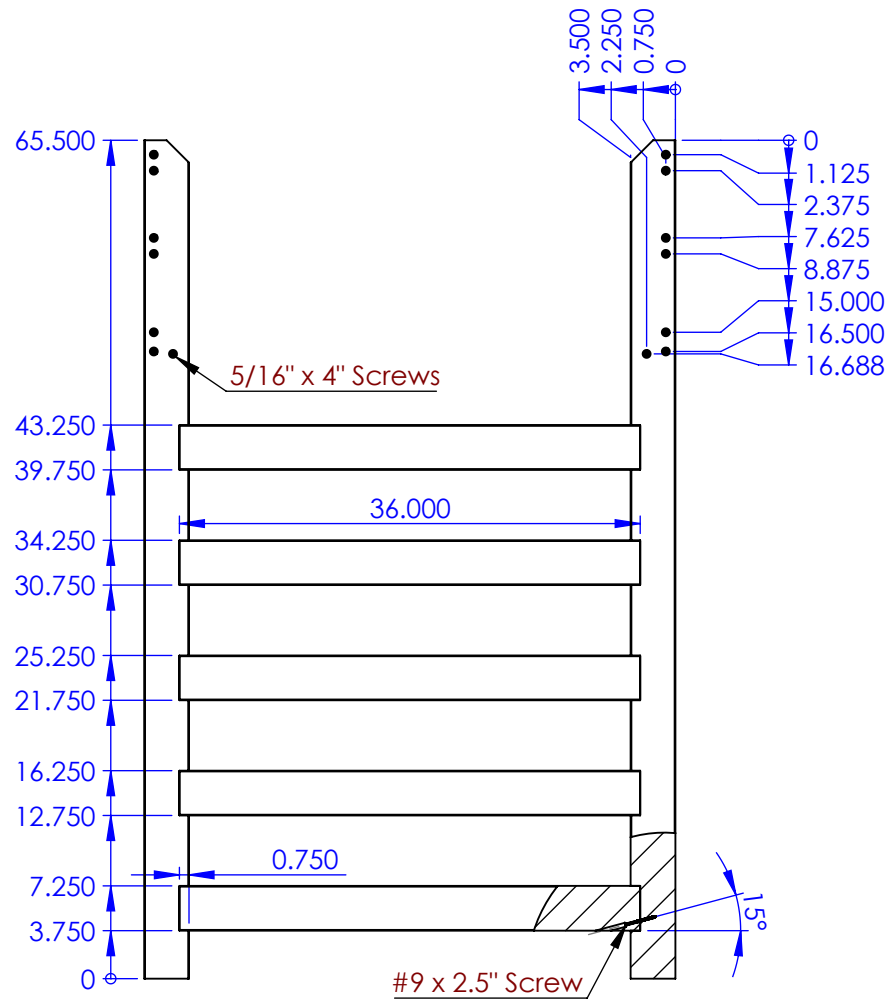


2 1

B

B



<https://quagmirerepair.com/corner-bunk-bed>

A

A

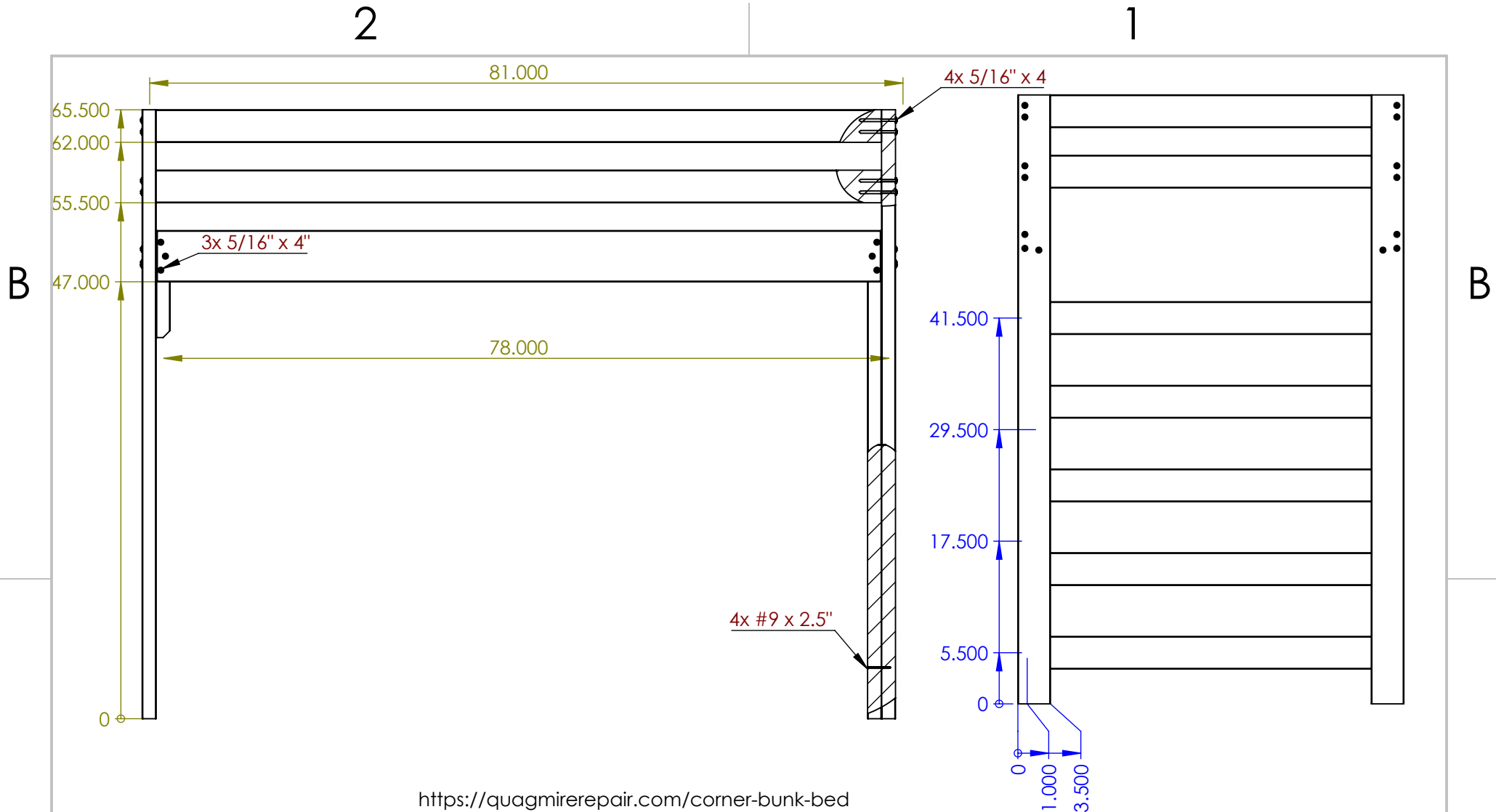
PROPRIETARY AND CONFIDENTIAL
THE INFORMATION CONTAINED IN THIS
DRAWING IS THE SOLE PROPERTY OF
DAVID MELLINGER. ANY
REPRODUCTION IN PART OR AS A WHOLE
WITHOUT THE WRITTEN PERMISSION OF
DAVID MELLINGER IS
PROHIBITED.

		UNLESS OTHERWISE SPECIFIED:		NAME	DATE
		DIMENSIONS ARE IN INCHES	DRAWN	davem	
		TOLERANCES:	CHECKED		
		FRACTIONAL ±	ENG APPR.		
		ANGULAR: MACH ± BEND ±	MFG APPR.		
		TWO PLACE DECIMAL ±	Q.A.		
		THREE PLACE DECIMAL ±	COMMENTS:		
		INTERPRET GEOMETRIC TOLERANCING PER:			
		MATERIAL			
		FIR / PINE			
		FINISH			
NEXT ASSY	USED ON				
APPLICATION		DO NOT SCALE DRAWING			

TITLE:		
Upper Bed 2 Stair End		
SIZE	DWG. NO.	REV
A	Upper Bed	A
SCALE: 1:15	WEIGHT:	SHEET 1 OF 6

2

1



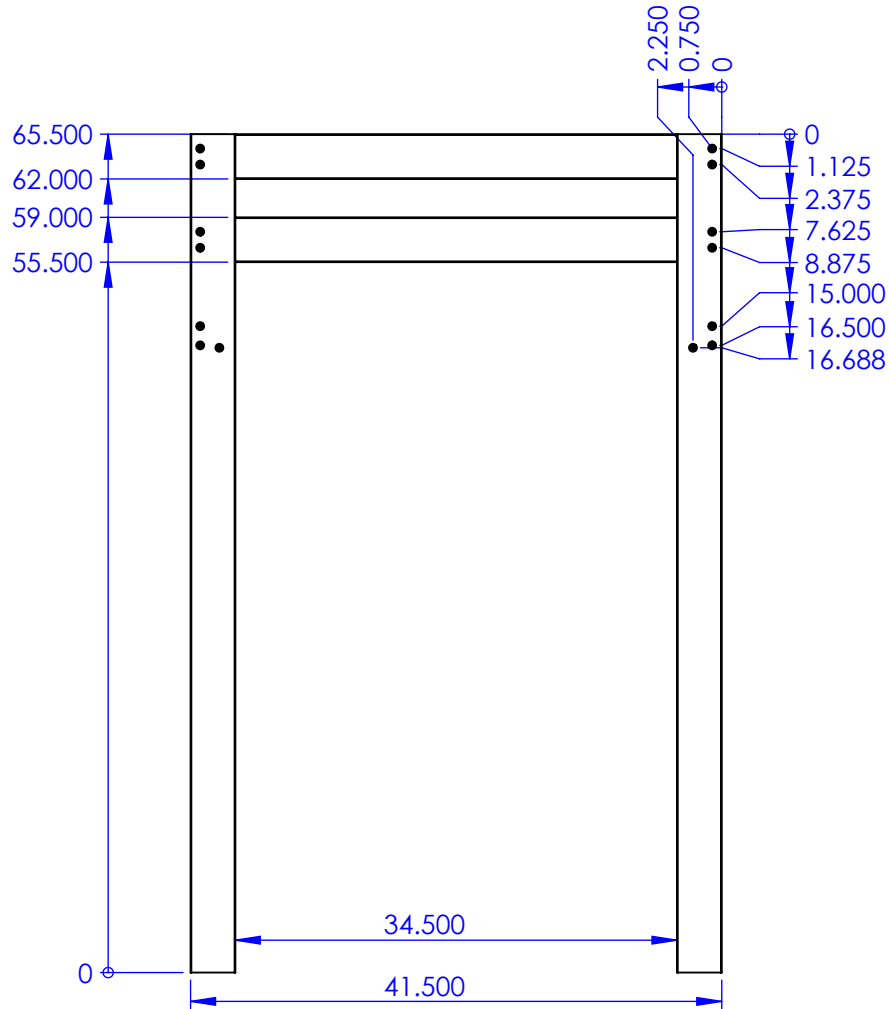
<https://quagmirerepair.com/corner-bunk-bed>

PROPRIETARY AND CONFIDENTIAL
 THE INFORMATION CONTAINED IN THIS
 DRAWING IS THE SOLE PROPERTY OF
 DAVID MELLINGER. ANY
 REPRODUCTION IN PART OR AS A WHOLE
 WITHOUT THE WRITTEN PERMISSION OF
 DAVID MELLINGER IS
 PROHIBITED.

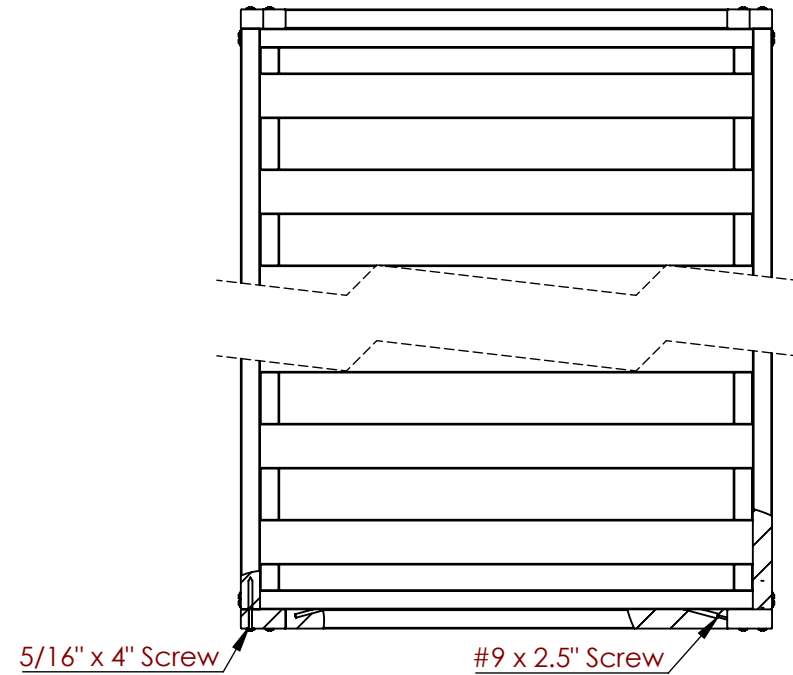
		UNLESS OTHERWISE SPECIFIED:	NAME	DATE
		DIMENSIONS ARE IN INCHES	DRAWN	davem
		TOLERANCES:	CHECKED	
		FRACTIONAL ±	ENG APPR.	
		ANGULAR: MACH ± BEND ±	MFG APPR.	
		TWO PLACE DECIMAL ±	Q.A.	
		THREE PLACE DECIMAL ±	COMMENTS:	
		INTERPRET GEOMETRIC TOLERANCING PER:		
		MATERIAL		
		FIR / PINE		
NEXT ASSY	USED ON	FINISH		
	APPLICATION	DO NOT SCALE DRAWING		

TITLE: Upper Bed Side View		
SIZE	DWG. NO.	REV
A	Upper Bed	A
SCALE: 1:15 WEIGHT:		SHEET 2 OF 6

B



1



B

<https://quagmirerepair.com/corner-bunk-bed>

A

A

PROPRIETARY AND CONFIDENTIAL
THE INFORMATION CONTAINED IN THIS
DRAWING IS THE SOLE PROPERTY OF
DAVID MELLINGER. ANY
REPRODUCTION IN PART OR AS A WHOLE
WITHOUT THE WRITTEN PERMISSION OF
DAVID MELLINGER IS
PROHIBITED.

		UNLESS OTHERWISE SPECIFIED:	NAME	DATE	TITLE: Upper Bed 2 Opposite Stair End	
		DIMENSIONS ARE IN INCHES TOLERANCES: FRACTIONAL \pm ANGULAR: MACH \pm BEND \pm TWO PLACE DECIMAL \pm THREE PLACE DECIMAL \pm	DRAWN davem			
		INTERPRET GEOMETRIC TOLERANCING PER:	CHECKED		A Upper Bed A	
		MATERIAL FIR / PINE	ENG APPR.			
		FINISH	MFG APPR.		SHEET 3 OF 6	
NEXT ASSY	USED ON		Q.A.			
APPLICATION		DO NOT SCALE DRAWING	COMMENTS:			

2

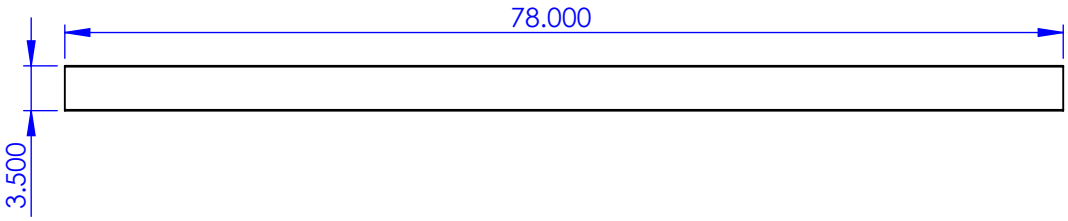
1

2

1

B

B



<https://quagmirerepair.com/corner-bunk-bed>

A

A

PROPRIETARY AND CONFIDENTIAL
 THE INFORMATION CONTAINED IN THIS
 DRAWING IS THE SOLE PROPERTY OF
 DAVID MELLINGER. ANY
 REPRODUCTION IN PART OR AS A WHOLE
 WITHOUT THE WRITTEN PERMISSION OF
 DAVID MELLINGER IS
 PROHIBITED.

		UNLESS OTHERWISE SPECIFIED:		NAME	DATE
		DIMENSIONS ARE IN INCHES	DRAWN	davem	
		TOLERANCES:	CHECKED		
		FRACTIONAL ±	ENG APPR.		
		ANGULAR: MACH ± BEND ±	MFG APPR.		
		TWO PLACE DECIMAL ±	Q.A.		
		THREE PLACE DECIMAL ±	COMMENTS:		
		INTERPRET GEOMETRIC TOLERANCING PER:			
		MATERIAL			
		FIR / PINE			
		FINISH			
NEXT ASSY	USED ON	APPLICATION	DO NOT SCALE DRAWING		

TITLE:		
Bed Rails		
SIZE	DWG. NO.	REV
A	Upper Bed	A
SCALE: 1:15	WEIGHT:	SHEET 4 OF 6

2

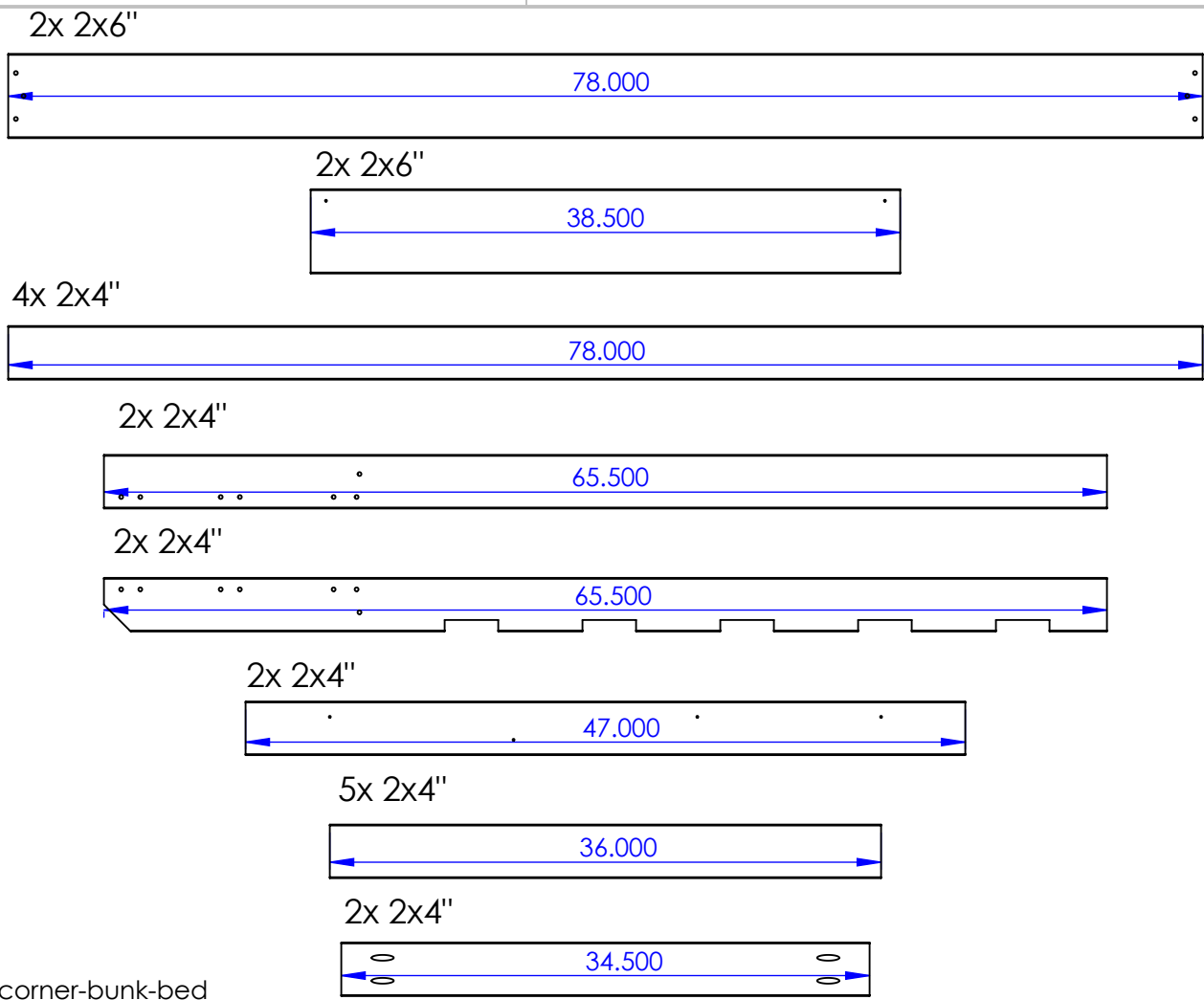
1

2

1

B

B



<https://quagmirerepair.com/corner-bunk-bed>

A

A

PROPRIETARY AND CONFIDENTIAL
 THE INFORMATION CONTAINED IN THIS
 DRAWING IS THE SOLE PROPERTY OF
 DAVID MELLINGER. ANY
 REPRODUCTION IN PART OR AS A WHOLE
 WITHOUT THE WRITTEN PERMISSION OF
 DAVID MELLINGER IS
 PROHIBITED.

		UNLESS OTHERWISE SPECIFIED:		NAME	DATE
		DIMENSIONS ARE IN INCHES	DRAWN	davem	
		TOLERANCES:	CHECKED		
		FRACTIONAL ±	ENG APPR.		
		ANGULAR: MACH ± BEND ±	MFG APPR.		
		TWO PLACE DECIMAL ±	Q.A.		
		THREE PLACE DECIMAL ±	COMMENTS:		
		INTERPRET GEOMETRIC TOLERANCING PER:			
		MATERIAL			
		FIR / PINE			
		FINISH			
NEXT ASSY	USED ON				
APPLICATION		DO NOT SCALE DRAWING			

TITLE:		
Materials List		
SIZE	DWG. NO.	REV
A	Upper Bed	A
SCALE: 1:15 WEIGHT:		SHEET 5 OF 6

2

1

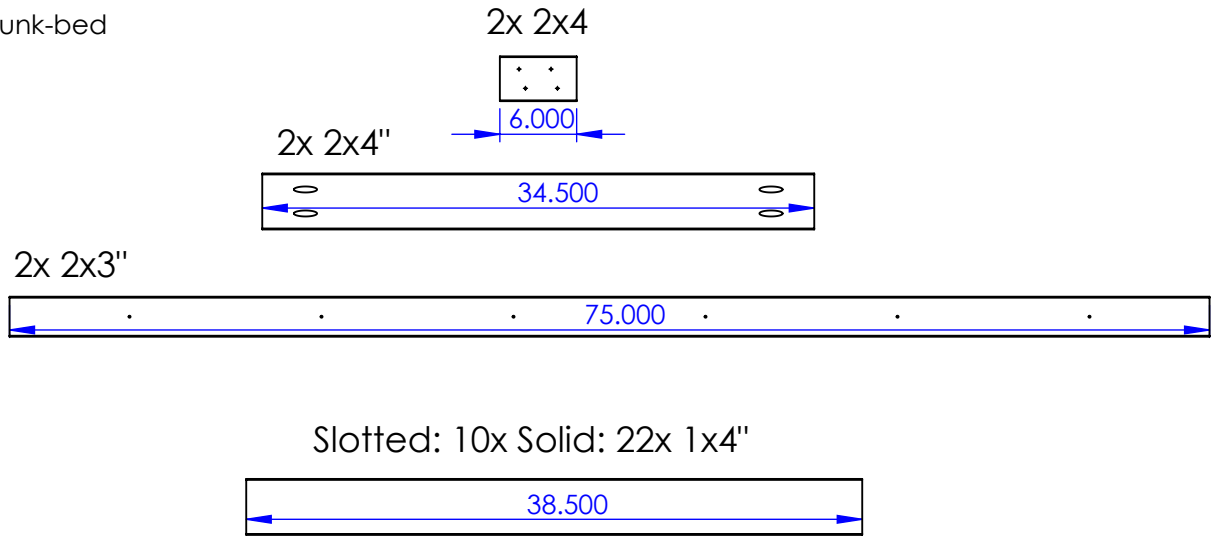
<https://quagmirerepair.com/corner-bunk-bed>

2

1

B

B



2x 2x6x10' or 3x 2x6x8'
 13x 2x4x8'
 2x 2x3x8'
 5 or 11x 1x4x8'

30x #9 x 2.5" Screws
 22 x #9 x 3" Screws
 40 5/16" x 4" Screws

A

A

PROPRIETARY AND CONFIDENTIAL
 THE INFORMATION CONTAINED IN THIS
 DRAWING IS THE SOLE PROPERTY OF
 DAVID MELLINGER. ANY
 REPRODUCTION IN PART OR AS A WHOLE
 WITHOUT THE WRITTEN PERMISSION OF
 DAVID MELLINGER IS
 PROHIBITED.

		UNLESS OTHERWISE SPECIFIED:		NAME	DATE
		DIMENSIONS ARE IN INCHES	DRAWN	davem	
		TOLERANCES:	CHECKED		
		FRACTIONAL ±	ENG APPR.		
		ANGULAR: MACH ± BEND ±	MFG APPR.		
		TWO PLACE DECIMAL ±	Q.A.		
		THREE PLACE DECIMAL ±	COMMENTS:		
		INTERPRET GEOMETRIC TOLERANCING PER:			
		MATERIAL			
		FIR / PINE			
		FINISH			
NEXT ASSY	USED ON				
APPLICATION		DO NOT SCALE DRAWING			

TITLE:		
Materials List		
2		
SIZE	DWG. NO.	REV
A	Upper Bed	A
SCALE: 1:15	WEIGHT:	SHEET 6 OF 6

2

1